

Parabolic antenna JRC-32DD MIMO Precision

Dual-polarized parabolic antenna **JRC-32 Deep Dish MIMO Precision** is designed for directional links with MIMO mode at the frequency band 5 GHz. The antenna is designed for environments with multiple reflections for long distances. **Its design with deep dish increases isolation among antennas on a mast and increases front to back ratio. The new concept expands the frequency band.** The Precision version includes a **massive holder JDMW-900** developed for microwave links.

Other models: **JRC-32DD MIMO PriS** – antenna for dual-polarized radio UBNT PrismStation

Electrical parameters:

Frequency range	4.9 – 6.4 GHz
Gain	32.1 ± 1 dBi
VSWR 5.1 – 5.9 GHz	≤ 1.4 (rest of freq. range ≤ 1.7)
Beamwidth -3 dB	4.3°
Port to port isolation 5.1 – 5.9 GHz	≥ 26 dB
Front to Back ratio	≥ 52 dB
Polarization	Linear, vertical/horizontal or 45°

Mechanical parameters:

Parabola	Ø 900 mm, Aluminium alloy
Radome	UV steady plastic ABS
Type of connector	N-female, R-SMA
Installation for mast	Ø 40 - 120 mm
Operating wind load	140 km/h (87 mph)
Survival wind load	210 km/h (130 mph)
Weight of antenna	9.3 kg (20.5 lbs.)
of holder	3.2 kg (7.0 lbs.)
Shipping dimensions	
of antenna	995 x 995 x 545 mm / 13 kg (29 lbs.)
of holder	180 x 170 x 165 mm / 3.5 kg (7.7 lbs.)

Parabolic antenna JRC-32DD MIMO Precision

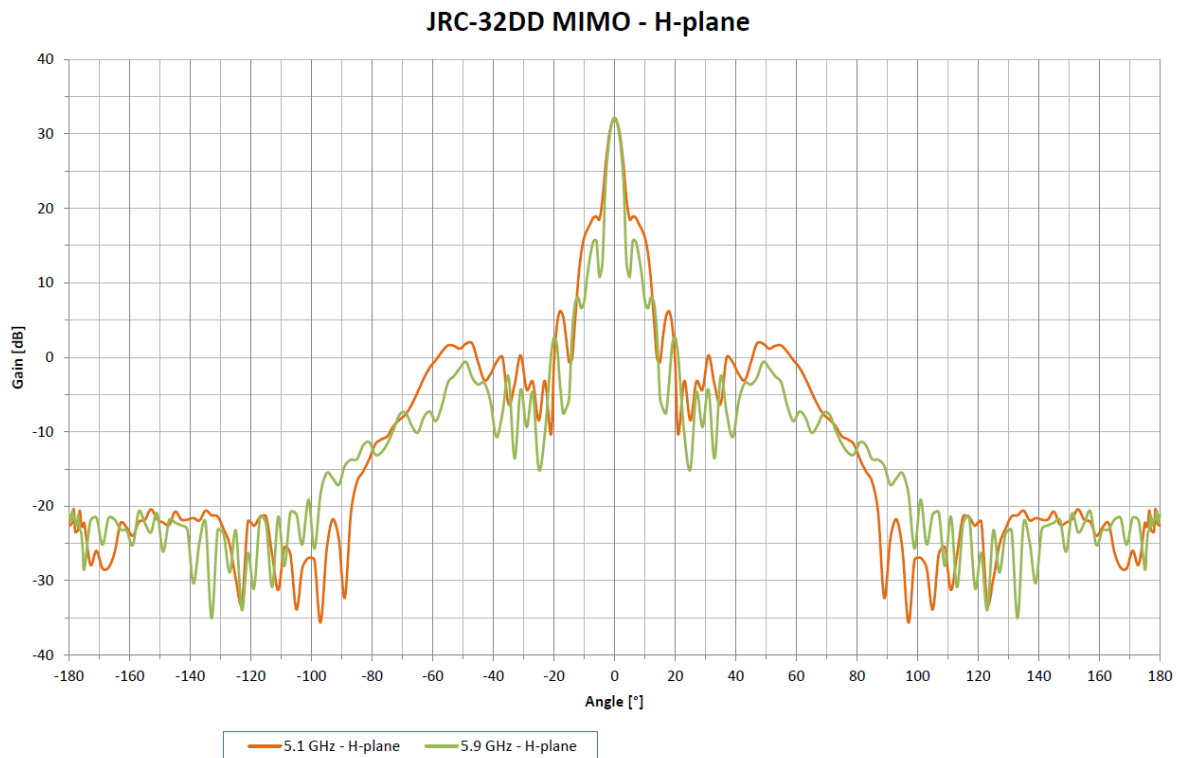
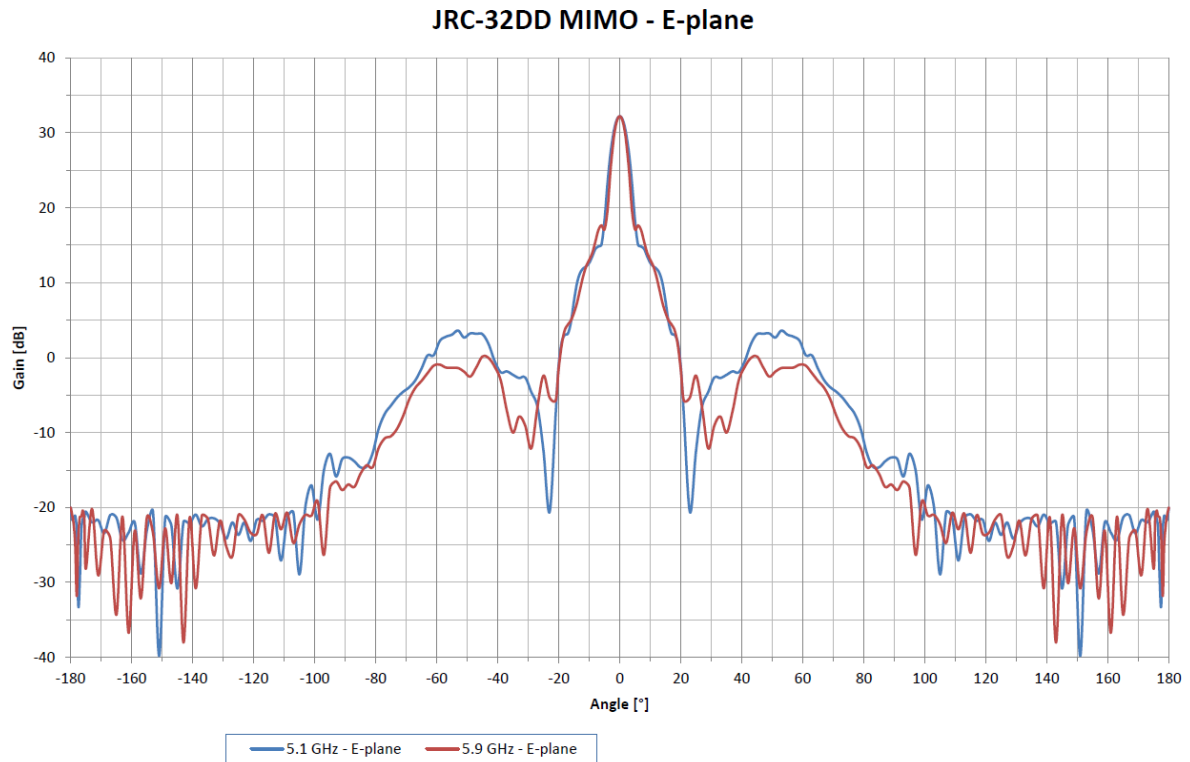
Usage:

The antenna can be used in combination with an outdoor plastic box GentleBOX JR – 200 or metal box JR – 250 Alu for AP, RouterBOARDS and other electronics or with holder GentleCLIP for easy installation of devices with the clipped system. Mount the antenna has separate latching nuts for easy mounting and adjustment of the azimuth and elevation.

The antenna is supplied with a holder (packed separately) that allows easy mounting on a mast. The holder can be installed separately on the mast. Subsequently, you can simply hang up the antenna with microwave unit into it. The holder allows precise adjustment in both directions. In the areas with the expected occurrence of the strong winds mounting on the mast with minimal \varnothing 50 mm is recommended.

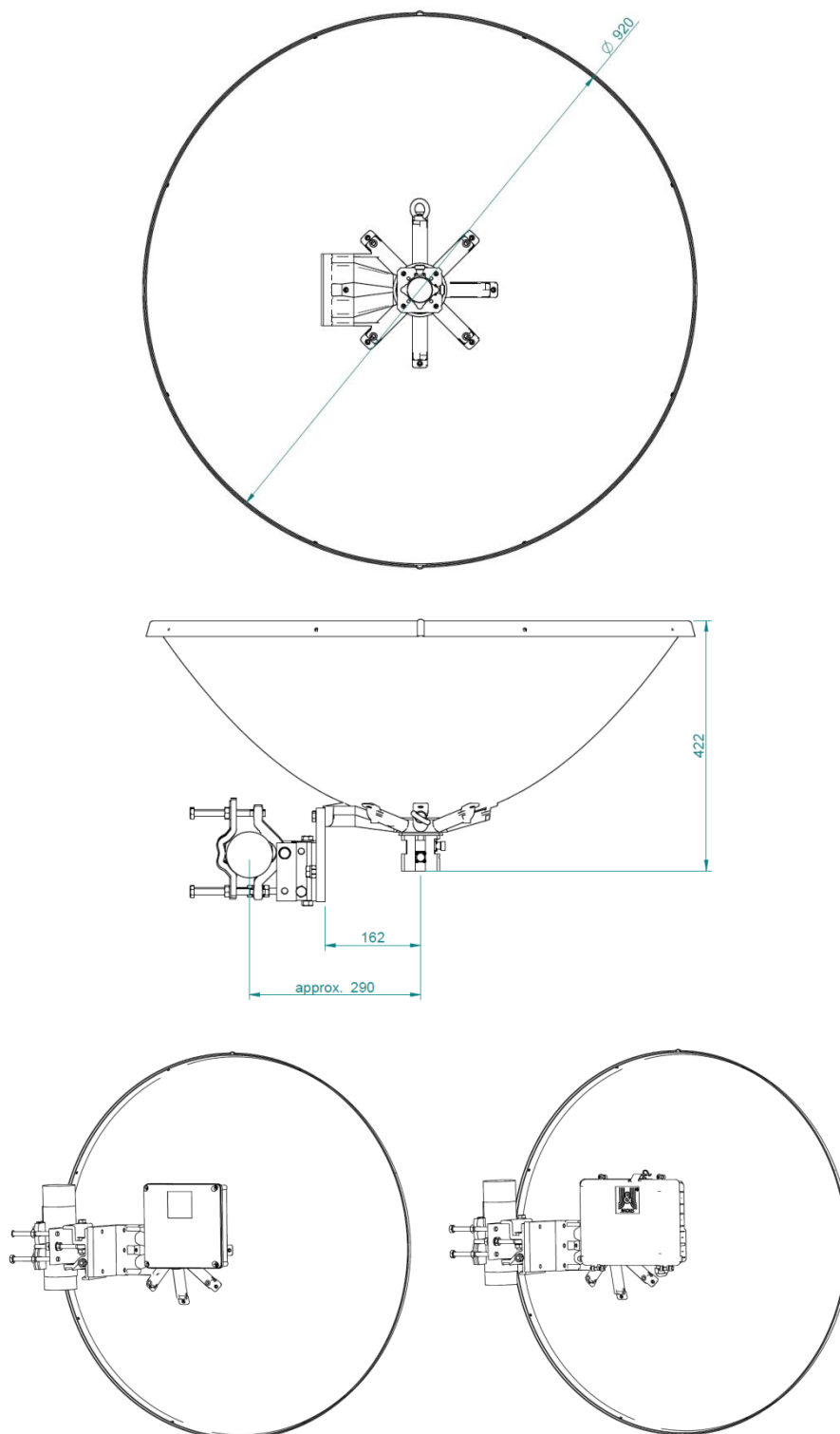
Parabolic antenna JRC-32DD MIMO Precision

Measurement of radiation pattern:



Parabolic antenna JRC-32DD MIMO Precision

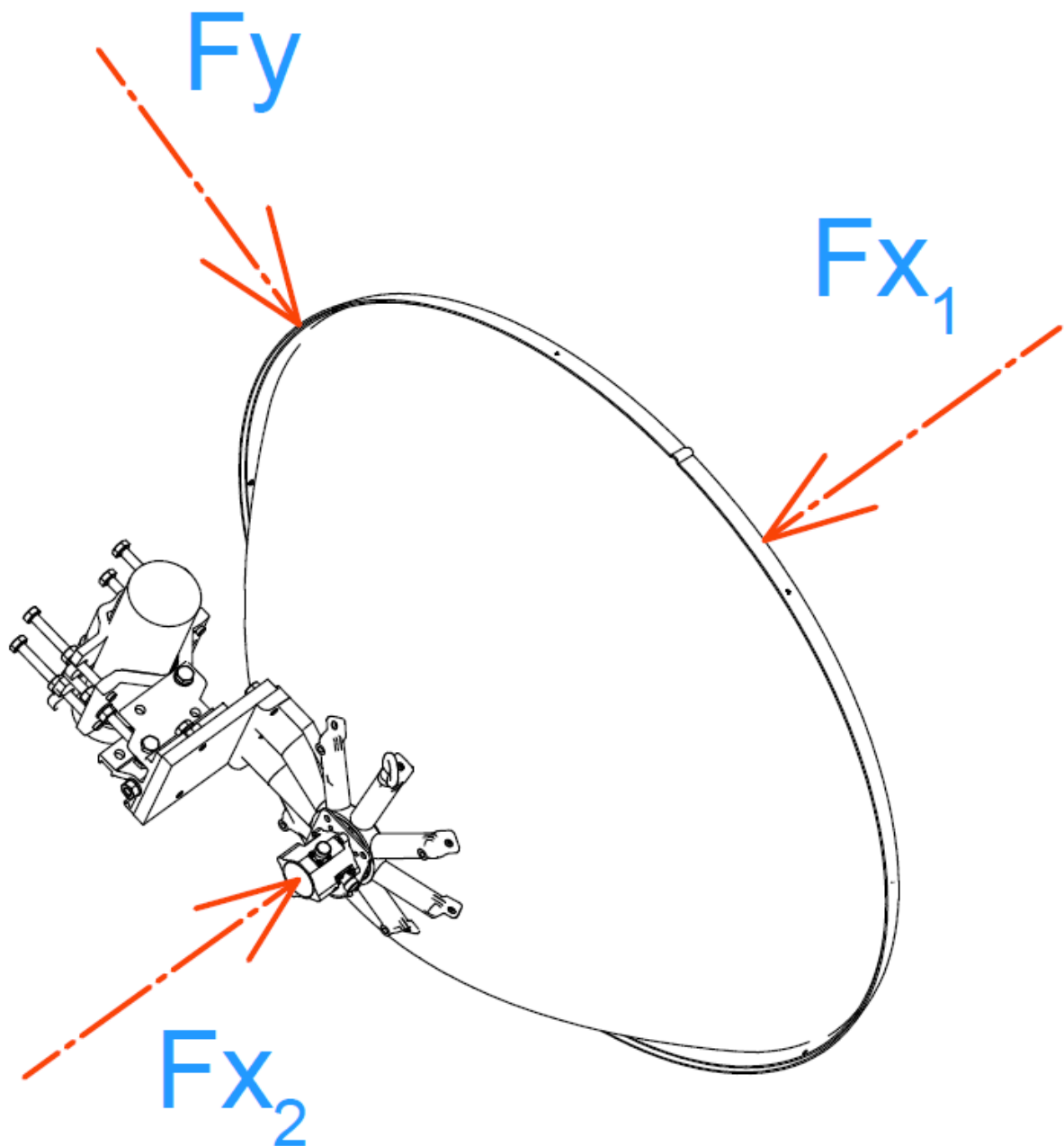
Outline:



Accessories: outdoor plastic box JR – 200 or metal box JR – 250 Alu – right side mounting only, polarization 45° not possible

Parabolic antenna JRC-32DD MIMO Precision

Wind loading:



Wind loading at 250 km/h [125 mph]		
Direction	Force [N]	Force [lbf]
F_{x_1}	1443	324,4
F_{x_2}	1324	297,6
F_y	91	20,5