

6-Port 10/100Mbps PoE Switch

(GLMH1064PL)



OVERVIEW

The GLMH1064PL series is a 10/100Mbps unmanaged PoE switch , it has 4*10/100M PoE ports and 2*10/100M uplink RJ45 ports, Port 1-4 can support IEEE 802.3af/at standard PoE power supply, single port PoE power up to 30W, and the maximum POE output power is 65W. As a PoE power supply device, it can automatically detect and recognize the power receiving equipment that meets the standard and supply power through the network cable. It can supply power to POE terminal equipment such as wireless AP, webcam, VoIP phone, video access control intercom, etc. through network cable to meet the network environment that needs high-density PoE power supply. It is suitable for hotels, campuses, factory quarters and small and medium-sized enterprises to form an economy. Efficient network.

Unmanaged model, plug and play, no configuration, easy to use.

FEATURE

■ 10/100 Mbps access, Dual RJ45 port uplink

- ◇ Provides 6*10/100 Base-TX RJ45 ports and dual uplink power ports, which is more convenient for users to flexibly set up to meet the network requirements of various scenarios.
- ◇ All ports support non-blocking wire-speed forwarding for smoother transmission.
- ◇ Support IEEE 802.3x full-duplex flow control and Backpressure half-duplex flow control.

■ Intelligent PoE power supply function

- ◇ 4*10/100 Base-TX RJ45 ports support PoE power supply, which meets the needs of PoE power supply in various scenarios in the security field.
- ◇ Comply with IEEE 802.3af /at PoE power supply standard, automatically identify PoE devices for power supply without damaging non-PoE devices. The maximum PoE output power is 65W, and the maximum PoE output power of a single port is 30W.

■ Easy to use

- ◇ Plug and play, no configuration, simple and convenient.
- ◇ Users can easily understand the working status of the device through the power indicator (PWR), port status indicator (Link/Act), and PoE operation indicator.

■ Innovative function (only with function switch type)

- ◇ Long distance file: When opening, the speed of 1-4 port is reduced to 10M. With the existing twisted pair cable, the transmission limit of the twisted pair line can be broken, and the transmission distance can reach 250 meters; on the other hand, It can solve the problem of poor transmission caused by line aging.
- ◇ Video monitoring mode: Open with the long distance switch, 1-4 ports are isolated from each other but communicate with 5-6 ports to prevent DHCP conflicts, optimize port cache utilization, and reduce broadcast storms.

■ The equipment is stable and reliable

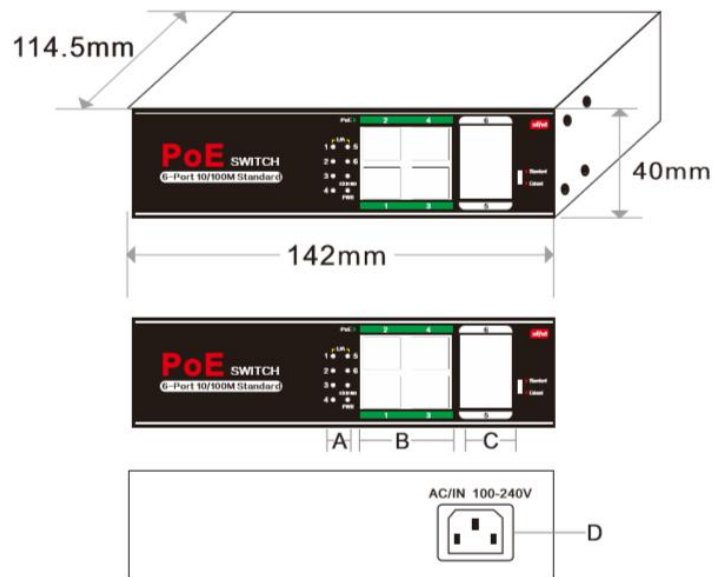
- ◇ The host has low power consumption, no fan and silent design, galvanized steel and metal casing, and excellent heat dissipation to ensure stable operation of the product.
- ◇ The equipment fully complies with the CCC, CE, FCC, RoHS safety requirements, and is safe and reliable.

TECHNICAL SPECIFICATION

Model	GLMH1064PL	H1108PL
Inherent port	4*10/100Base-TX PoE ports (Data/Power) 2*10/100Base-TX uplink RJ45 ports (Data)	8*10/100Base-TX PoE ports (Data/Power) 2*10/100Base-TX uplink RJ45 ports (Data)
PoE Port	Port 1-4 can support IEEE802.3af/at standard PoE power supply	Port 1-8 can support IEEE802.3af/at standard PoE power supply
Functional Switch	1*(Extender+ CCTV) Note: when the switch state changes, it must be restarted before the PoE switch function can take effect	
Network Protocol	IEEE802.3 10BASE-T; IEEE802.3i 10Base-T; IEEE802.3u 100Base-TX; IEEE802.3x	
PoE Standard	IEEE802.3af/at international standard	
Ethernet Port	Port 1-6 can support 10/100BaseT (X) auto detect, full / half duplex MDI / MDI-X adaptive	Port 1-10 can support 10/100BaseT (X) auto detect, full / half duplex MDI / MDI-X adaptive
Forwarding Mode	store and forward(Full Wire Speed)	
Switching Capacity	1.6Gbps (Non-blocking)	2Gbps (Non-blocking)
Forwarding Rate@64byte	0.98Mpps	1.488Mpps
MAC address entry	1K	
Buffer Memory	768K	
Twisted Pair Transmission	10BASE-TX: Cat5 or later UTP(≤250 meter) 100BASE-TX: Cat5 or later UTP(≤100 meter)	
Power Supply Pin	Default 1/2(+), 3/6(-);Optional 4/5(+), 7/8(-) 2-pairs power supply	
Max / Average Power Per Port	30W/15.4W	
Total PWR / Input Voltage	65W (AC100-240V)	120W (AC100-240V)
Power Consumption	Standby<3W; Full load <65W	Standby <5W; Full load <120W
LED indicator	power indicator: PWR (green); network indicator: Link (yellow); POE working indicator: PoE (green) functional switch indicator:EXTEND(green)	
Power Supply	Built-in switching power supply,AC100~240V 50-60Hz 1A	Built-in switching power supply, AC100~240V 50-60Hz 2.2A
Operation TEMP /	-20~+55°C;5%~90%RH (Non condensing)	

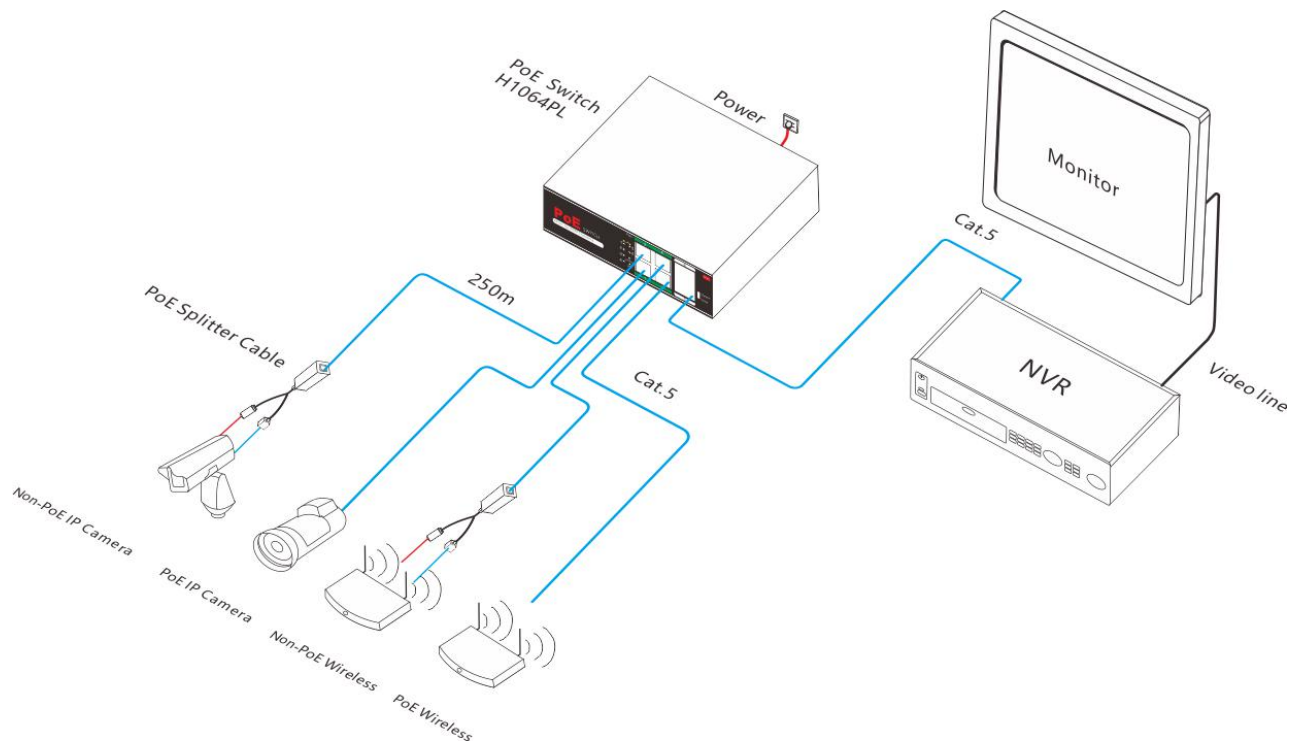
Humidity		
Storage TEMP / Humidity	-40~+75°C;5%~90%RH (Non condensing)	
Dimension	142*114.5*40mm	195*130*40mm
Net /Gross Weight	<0.6kg / <1kg	<0.8kg / <1.2kg
installation method	Desktop, wall mount	
Lightning protection / protection level	Port Lightning protection :4KV 8/20us; Protection Level:IP30	
Certification	CCC;CE mark, commercial;CE/LVD EN60950;FCC Part 15 Class B;RoHS;	
Warranty	1 year, lifelong maintenance.	

DIMENSION



- A. Working indicator B. 4x10/100M PoE ports
 C. 2x10/100M Uplink Rj45 ports
 D. Power input port AC100-240V, 50/60Hz

APPLICATION



PACKING LIST

	CONTENT	QTY	UNIT
Packing List	6-Port 10/100Mbps PoE switch (GLMH1064PL)	1	SET
	AC power line	1	PC
	User guide	1	PC
	Warranty card and certificate of qualification	1	PC

Note: This series model does not support the mounting ear by default. If you need it, you need to purchase it separately!

ORDERING INFORMATION

Model	Description
GLMH1064PL	Unmanaged PoE switch with 4* 10/100M PoE ports and 2* 10/100M uplink RJ45 ports. Port 1-4 can support IEEE 802.3af/at PoE Standard. Adjust function switch, Port 1-4 can support 10M/250m long distance transmission . Built-in 65W power supply .
H1108PL	Unmanaged PoE switch with 8* 10/100M PoE ports and 2* 10/100M uplink RJ45 ports. Port 1-8 can support IEEE 802.3af/at PoE Standard. Adjust function switch, Port 1-8 can support 10M/250m long distance transmission . Built-in 120W power supply .